

Medium performance power line filter

Technical datasheet

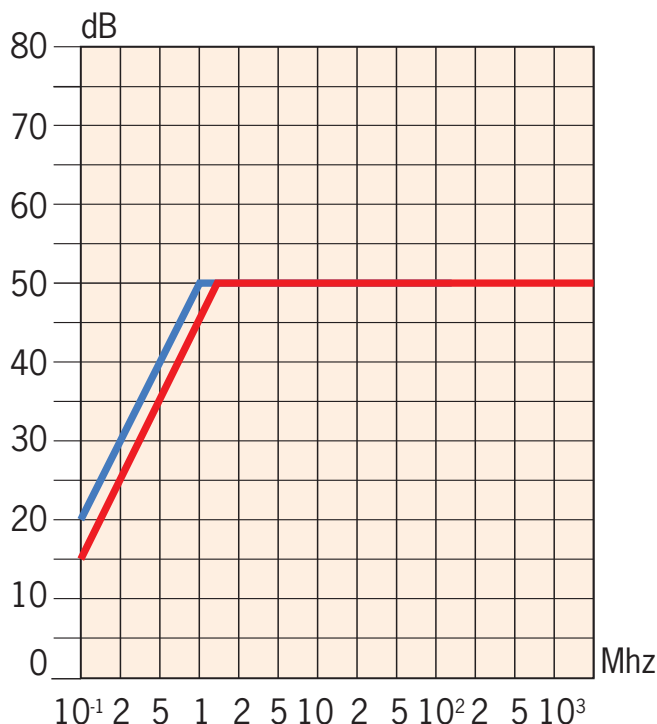
Models and ordering data

Reference	Type	Current Max.	Lines	Rated voltage UR			Operating temperature °C	Test voltage VDC	Leakage current @250V/50Hz (mA)	Curve
		(A)		VDC	VAC 50-50 Hz	VAC 400 Hz				
MP - 2050	1	50	2	1000	250	-	-40 +85	2121	86.4	1 -
MP - 2075	1	75	2	440	250	-	-40 +85	800	812	2
MP - 2100	1	100	2	1000	250	125	-40 +85	2121	173	2
MP - 2100	2	100	2	1000	250	-	-40 +65	2121	86.4	1 -
MP - 2200	1	200	2	440	250	-	-40 +85	800	812	2
MP - 2200	2	200	2	1000	250	-	-40 +65	2121	86.4	1 -
MP - 2300	1	300	2	440	250	-	-40 +85	800	812	2
MP - 3050	1	50	3	1000	250	-	-40 +85	2121	86.4	1 -
MP - 3075	1	75	3	440	250	-	-40 +85	800	812	2
MP - 3100	1	100	3	1000	250	125	-40 +85	2121	173	2
MP - 3100	2	100	3	1000	250	-	-40 +65	2121	86.4	1 -
MP - 3200	1	200	3	440	250	-	-40 +85	800	812	2
MP - 3200	2	200	3	1000	250	-	-40 +65	2121	86.4	1 -
MP - 3300	1	300	3	440	250	-	-40 +85	800	812	2
MP - 4050	1	50	4	1000	250	-	-40 +85	2121	86.4	1 -
MP - 4075	1	75	4	440	250	-	-40 +85	800	812	2
MP - 4100	1	100	4	1000	250	125	-40 +85	2121	173	2
MP - 4100	2	100	4	1000	250	-	-40 +65	2121	86.4	1 -
MP - 4200	1	200	4	440	250	-	-40 +85	800	812	2
MP - 4200	2	200	4	1000	250	-	-40 +65	2121	86.4	1 -
MP - 4300	1	300	4	440	250	-	-40 +85	800	812	2

For the explanation of the reference see chapter "how to order" below

Attenuation characteristics

Structure 1 Attenuation on load (50 Ω) MIL STD 220 A or GAM T 21



Technology

Self-healing plastic film non inductive capacitor
Tinned metal case
Feed through mounting
Flame retardant V0

Mounting

These filters are designed to be mounted in directly on the entry panel of a Faraday cage or in an shielded filter housing.
Please contact us for options.

Torgue value max.
Ø M 27 : 40 Nm
@ M 32 : 40 Nm

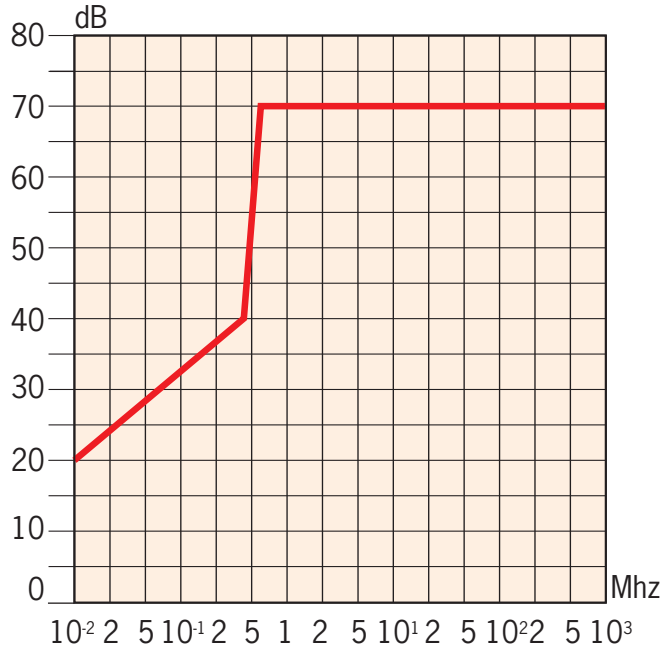
Connection

Treaded terminals with nut
Ø M 4 : 1.2 Nm
Ø M 6 : 2.45 Nm
Ø M 8 : 10 Nm
Ø M 10 : 15 Nm
Ø M 12 : 20 Nm

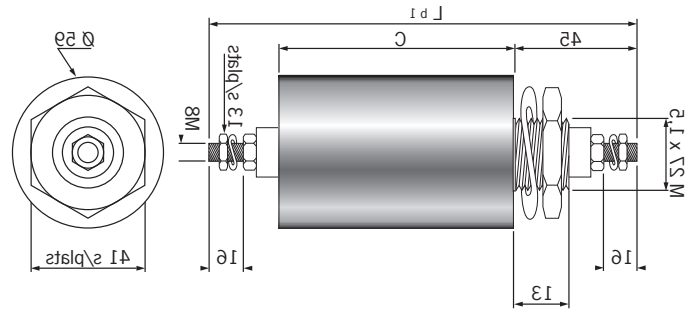
Medium performance power line filter

Technical datasheet

Structure 2 Attenuation on load (50 Ω) MIL STD 220 A or GAM T 21



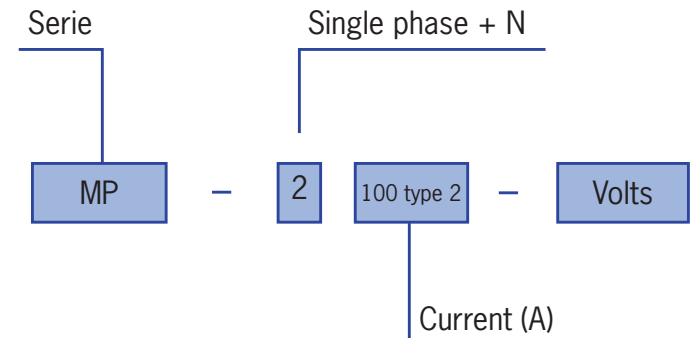
Structure 2



How to order

The picture below explains how to generate a Medium performance part number.

- Serie (MP = Medium performance);
- the amount of phases;
- the current (A) and the type (See table);
- and then the amount of volts.



Dimensions in mm per filter

Current	A	B	C	Ø F	L	Weight (Gr.)	Structure
50 A	-	-	115	-	192	820	2
75 A	41	17	92	M6	166	670	1
100 A	48	24	92	M8	180	750	1
100 A (type 2)	-	-	122	-	199	850	2
200 A	49	25	92	M10	172	950	1
200 A (type 2)	-	-	140	-	217	940	2
300 A	59	35	92	M12	194	1050	1

Mechanical data

Structure 1

