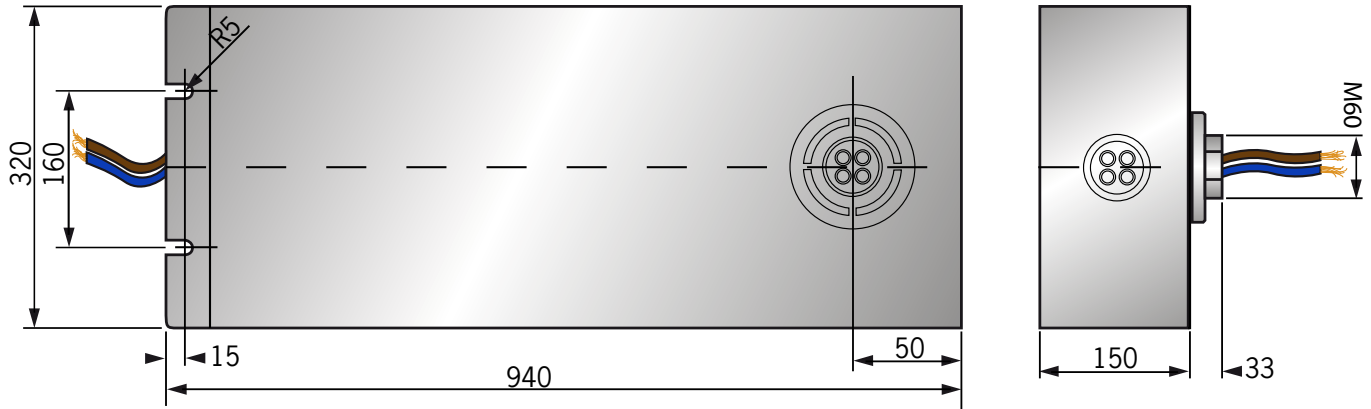


1. Type: UHP1-4100 and UHP1-4200

2. Dimensions: (mm)



3. Technical data:

- Rated voltage: 250V/440VAC
- Rated current: 100A/200A
- Climatic category :25/070/21
- Operating frequency: 0-60Hz
- Insertion loss: 100dB, 14KHz-40Ghz
- Peak Surge Current: 80KA (8/20 μ s)

4. Assembly parts:

- M60 conduit screw: 1pc
- M60 screw nut: 1pc
- Gasket 60: 1pc
- Certificate: 1pc

5. Installation sketch

