

### Advantages

- Suitable for use under extreme conditions (military applications)
- Wear resistant
- Insensitive for corrosion

### Applications

- Shielded rooms
- Shielded chambers
- Anechoic chambers
- Military applications

Type UHP2 power line filters for shielded rooms and anechoic chambers  
(Frequency range of 100kHz till 40 GHz, attenuation of 100dB)

The Ultra high performance filter is a superior filter housed in a three compartment casing that achieves 100 dB insertion transmission loss at 100 kHz till 40 GHz. The leakage current is as low as at mA level and the voltage drop is less than 1V.

The circuit is designed as a symmetrical double-circuit with high quality rod cores providing inductance. These cores do not saturate due to their large air gap and they are insensitive to asymmetrical load.

Foil capacitors ensure a long operating life by their self healing feature even after voltage transients. A seamless fixing of the filter casing to the shielded room is very important to ensure correct operation. The filter is housed in a casing that has a base flange which provides stable mounting and excellent earthing when bolted to the shielded room via the mounting bolts.

This series is offered as a two line filter (phase and neutral) or as a four line filter (three phases and neutral). The neutral line is always attenuated and all conductors are decoupled from each other. This allows the conductors to operate independently without attenuation loss.

### Partnumbers UHP2 serie

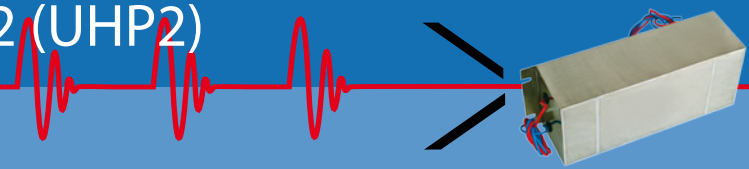
Type	IR (A)	I Leakage (mA)	Dim. diagram
UHP2-2016	2x16	20	2
UHP2-2032	2x32	20	2
UHP2-2063	2x63	20	2
UHP2-2100	2x100	20	3
UHP2-2200	2x200	20	3
UHP2-4016	4x16	5	4
UHP2-4032	4x32	5	4
UHP2-4063	4x63	5	4
UHP2-4100	4x100	5	5
UHP2-4200	4x200	10	5
UHP2-4300	4x300	10	5

### Shielding performance UHP2 filters per MIL-STD-220A

Frequency	Field	Insertion loss (dB)
100 KHz	H	100
1 MHz	H	100
1 MHz	E	100
10 MHz	E	100
100 MHz	E	100
400 MHz	P	100
1 GHz	P	100
10 GHz	P	100
40 GHz	P	100

# Ultra high performance type 2 (UHP2)

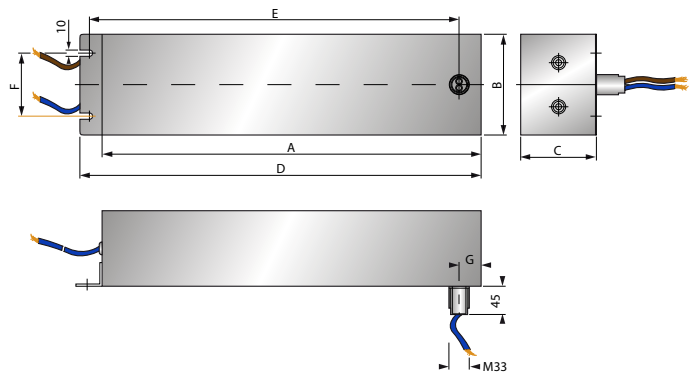
## Technical datasheet



### Rated line voltage

Rated line voltage		
Rate Line Voltage Vr for two-line filters	250V 440V	line-line / line-case line-line
Rate voltage Vr for four-line filters	250V	line-case
Rated current IR	See characteristics	Referred to +40°C ambient temperature
Rated frequency fR	50-60Hz	
Test voltage	1000Vdc/2s 1000Vdc/2s	line-line line-case
Voltage drop/phase ΔV	<1V	of VR at 50Hz and IR
Leakage current	See characteristics	at 440V/250V and 50Hz
Climatic category	25/070/21	

Diagram 2



### Available dimensions (mm)

Type	A	B	C	D	E	F	G	H	Dimensional diagram
UHP2-2016	380	160	120	410	360	100	30		2
UHP2-2032									
UHP2-2063									
UHP2-2100	540	200	150	570	495	100	60	100	3
UHP2-2200									
UHP2-4016	380	240	120	410	360	120	35		4
UHP2-4032									
UHP2-4063									
UHP2-4100	600	320	150	630	555	160	60	210	5
UHP2-4200									
UHP2-4300									

Diagram 3

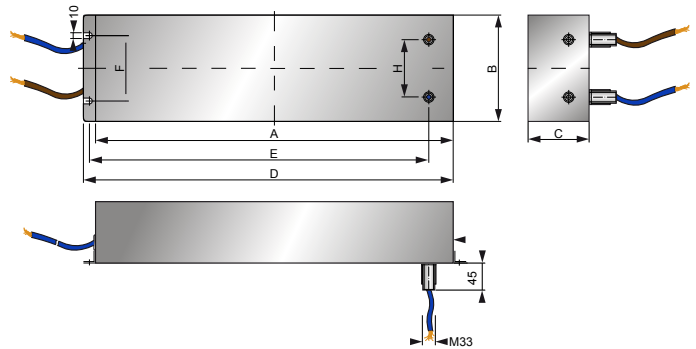


Diagram 4

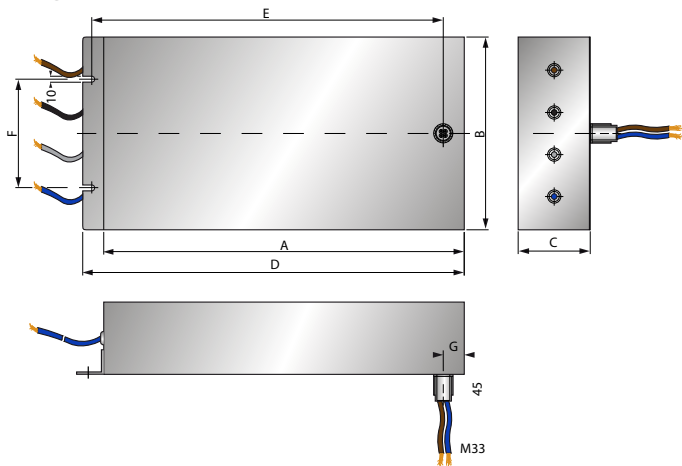
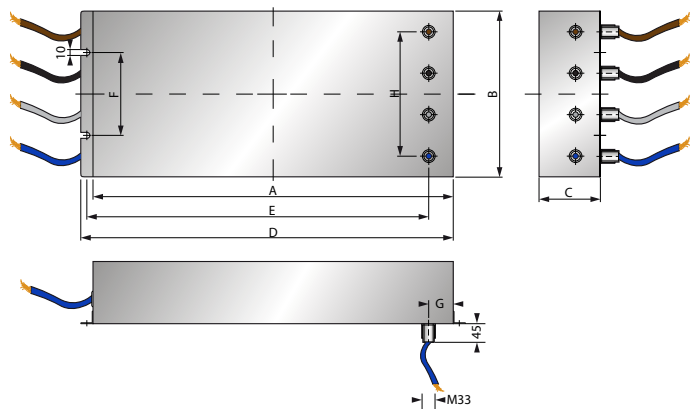


Diagram 5



Ordering information

When you want to order a UHP2 (Ultra High Performance type 2) power line filter please specify the following:

For example

