

Applications

- Shielded rooms
- Shielded chambers
- Anechoic chambers
- Military applications

Partnumbers UHP5 serie

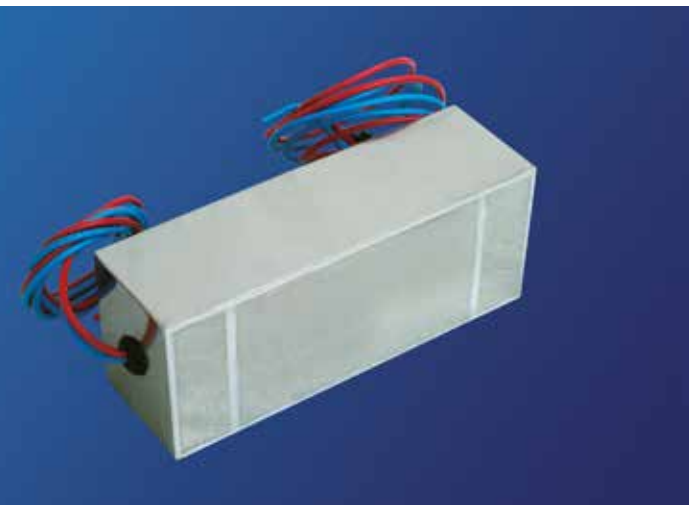
Type	Kg	Ir(A)	Leakage current per line (mA)
UHP5-2016LL	2.4	2x16	5
UHP5-2016EP	2.4	2x16	5

Rated line voltage

Rated line voltage	250V	line-line / line-case
Rate Line Voltage Vr for two-line filters	See characteristics	Referred to +40°C ambient temperature
Rated current IR	50-60Hz	
Rated frequency FR	1000Vdc/2s	line-line
Test voltage	1000Vdc/2s	line-case
Voltage drop/phase ΔV	<1V	of VR at 50Hz and IR
Leakage current	See characteristics	at 440V/250V and 50Hz
Climatic category	25/070/21	

Shielding performance UHP5 filters per MIL-STD-220A

Frequency	Typical insertion loss (dB)	
	Type 2016LL	Type 2016LLEP
100 KHz	20	70
200 KHz	30	100
1 MHz	40	100
10 MHz	60	100
20 MHz	100	100
100 MHz	100	100
400 MHz	100	100
1 GHz	100	100
10 GHz	100	100
40 GHz	100	100



Type UHP5 power line filters for shielded cabinets (Frequency range of 200KHz till 40 GHz, attenuation of 100dB) with current leakage below 5 mA

The Ultra high performance filter is a superior filter housed in a three compartment casing that achieves 100 dB insertion transmission loss at 200kHz till 40 GHz.

The circuit is designed as a symmetrical double-circuit with high quality rod cores providing inductance. These cores do not saturate due to their large air gap and they are insensitive to asymmetrical load.

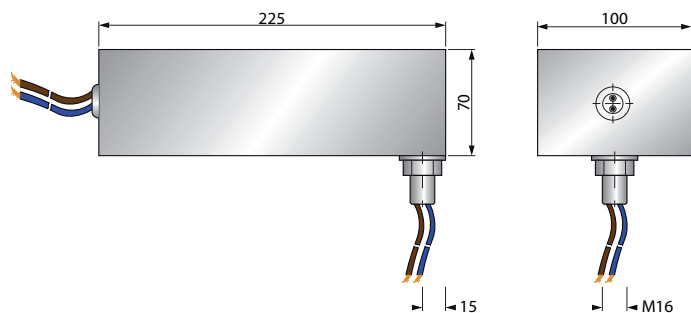
This serie of power line filters is specially designed for well grounded shielded cabinet with rated voltage of 250VAC/50Hz. It is compact and in compliance with Class B and C standards for shielded cabinet. The UHP-2016LL is particularly suitable to be used on MRI rooms. To work with earth leakage switch

This series is only offered as a two line filter (phase and neutral). The neutral line is always attenuated and all conductors are decoupled from each other. This allows the conductors to operate independently without attenuation loss.

Advantages

- High attenuation level for lower frequencies
- Suitable for use under extreme conditions (military applications)
- Works with earth leakage switch
- Insensitive for corrosion

Dimensional drawing (mm)



Ordering information

When you want to order a UHP5 (Ultra High Performance type 5) power line filter please specify the following:

